

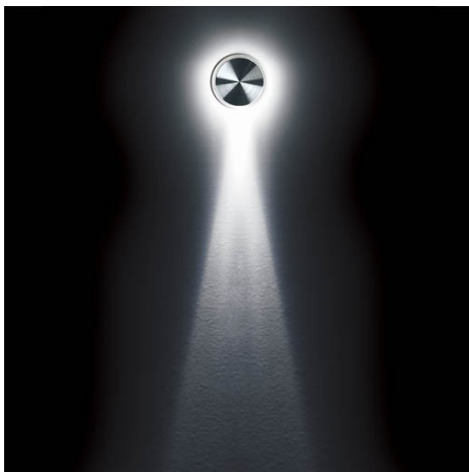
LD61 & LD62



IP67  

LD62

360° + 25° illumination



Notes

Wire in series.

Observe correct polarity. Do not wire live.

General Information

This miniature wall mounted LED uses a specially designed reflector to wash the surface around it. It can be used on walls to create interesting effects as well as lighting up steps and staircases, and the colours look fantastic! Manufactured from 316 stainless steel, with a special acrylic reflector.

Ultra small, robust LED fitting utilises a specially designed reflector to produce a 360° angle of illumination (LD61), or 360° plus a 25° narrow beam (LD62).

New integral anti-wicking barrier increases protection against moisture ingress due to incorrect IP rated cable connections (IP connections are still required).

Output Options

1.2W LED at 350mA

1.7W LED at 500mA

Lamp Options:

Warm White (3000k)

Cool White (5000k)

Blue

Green

Red

Amber

Finishes

Brushed or polished stainless steel

Fixing Options

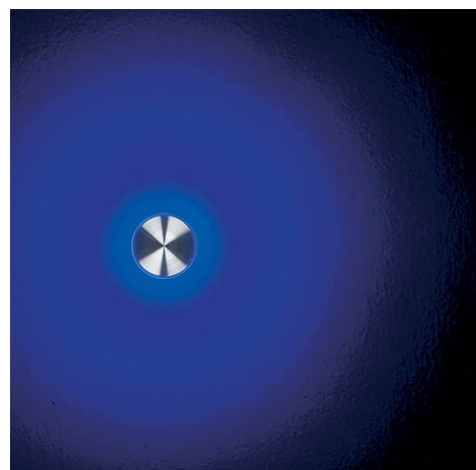
/480 First fix sleeve and 'O' Rings

/SC Spring Clips

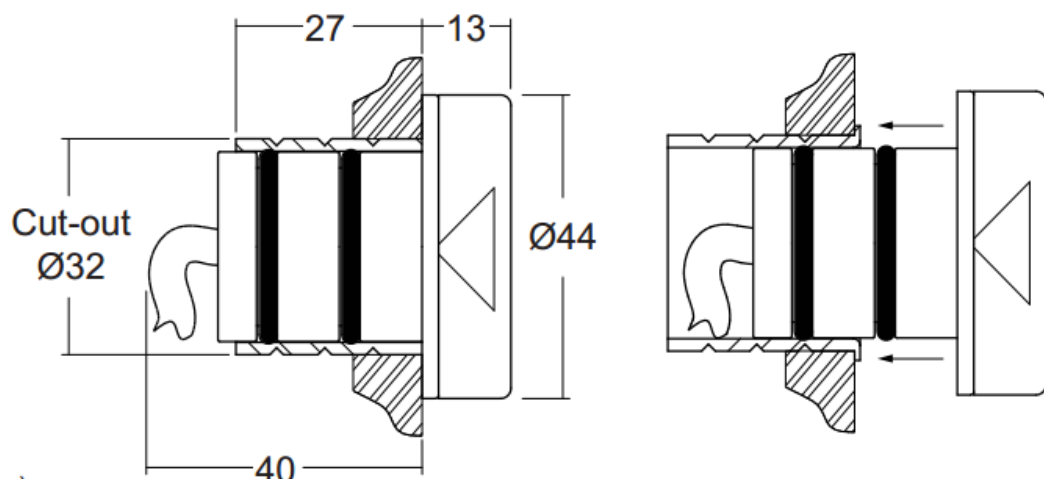
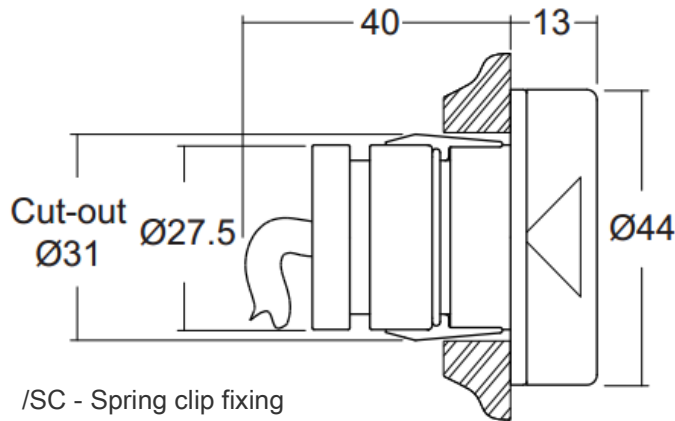
Driver Options

Use with 350mA or 500mA constant current LED drivers. 1-10V, DMX, DALI, Mains dimmable or non-dim.

LD61 360° illumination



Beam Angles	360°(LD61) or 360°+ 25°(LD62)			
LED type	1 x Cree XPG			
Colour temperature	3000K		5000K	
Drive Current (mA)	350	500	350	500
LED power* (W)	1.2W	1.7W	1.2W	1.7W
CRI (typical)	93	93	80	80
Forward voltage (V)	3.0V	3.2V	3.0V	3.2V
LED lifetime (to 70% lumen maintenance)	50,000hrs at a max ambient temperature of 35°C (if specifying fitting in ambient temperatures of up to 45°C run at 350mA max, LD61/62-350)			



(Dimensions in mm)

/480 - 'O' rings and sleeve, this is most suited for wet and exterior environments