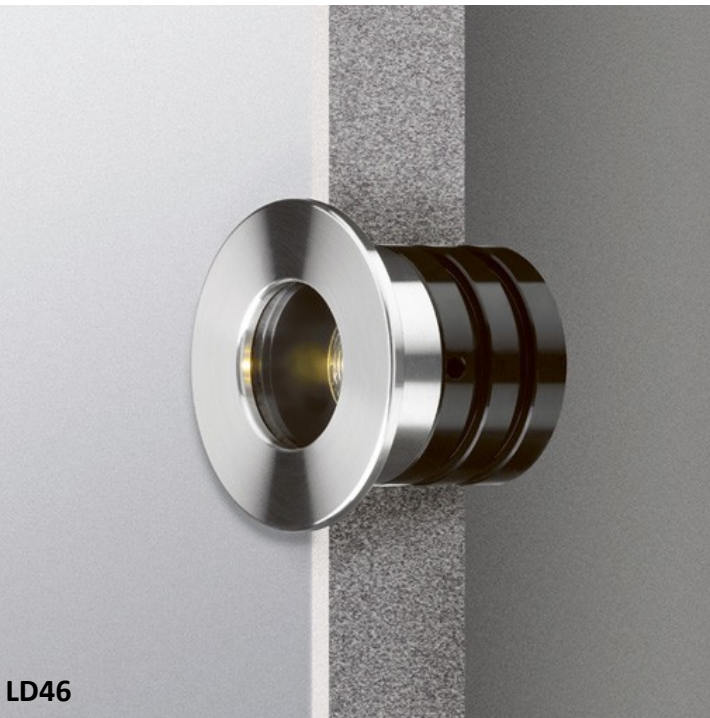


# LD45 & LD46



IP65  



## General Information

This discrete low glare fitting with either square (LD45) or round (LD46) bezel has a recessed optic, without a tilt. It looks particularly effective when used for stair lighting, mounted close to each tread. Can be used for internal or external applications and has an integral anti-wicking barrier to increase protection against moisture ingress due to incorrect IP rated cable connections.

## Output options

1.2W LED at 350mA  
1.7W LED at 500mA  
2.4W LED at 700mA

## Lamp Options: 350mA 1w 120°

Warm White (3000k)  
Cool White (5000k)  
Blue  
Green  
Red  
Amber

## Beam / lens angle options

12° narrow spot  
31° medium  
48° wide  
36° x 12° oval (LD46 only)

## Bezel finish options

Polished or brushed stainless steel 316  
Powder coated white / black (interior use only)  
Polished and passivated stainless steel (for marine environments)

## Fixing Options

/SC Spring clips  
/476 First fix sleeve and 'O' rings

## Driver Options

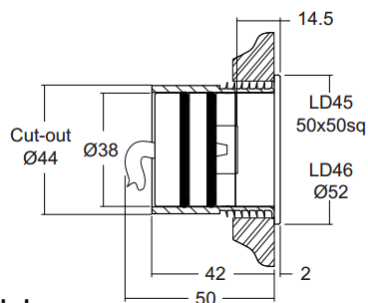
Use with 350mA, 500mA or 700mA constant current LED drivers. 1-10V, DMX, DALI, Mains dimmable or non-dim.

## Notes

Wire in series.  
Ensure correct polarity.  
Do not wire 'live'.

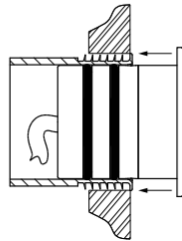
Beam Angles	12°, 31°, 48°, 36° x 12°					
LED type	1 x Cree XPG					
Colour temperature	3000K			5000K		
Drive Current (mA)	350	500	700	350	500	700
LED power* (W)	1.2W	1.7W	2.4W	1.2W	1.7W	2.4W
CRI (typical)	93	93	93	80	80	80
Forward voltage (V)	3.0V	3.2V	3.4V	3.0V	3.2V	3.4V
Delivered lumens (L <sup>100</sup> )	68	93	114	110	153	190
Lumens per circuit watt**	57	55	48	91	90	79

LED lifetime (to 70% lumen maintenance) 50,000hrs at a max ambient temperature of 35°C (if specifying fitting in ambient temperatures of up to 45°C run at 500mA max, LD45/46-500)



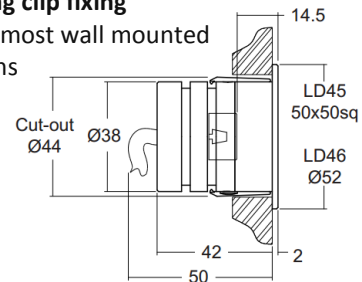
**/476 - 'O' rings and sleeve**

A more robust and water tight method of fixing, for wet areas



**/SC - Spring clip fixing**

Useful for most wall mounted applications



Measurements in mm

