

LD64 & LD65



IP67   

General Information

Ultra small, robust 1W LED fitting utilising a specially designed reflector to wash the surface around them. IP67 rated for mounting onto interior or exterior pathways, staircases and walls. LD65 also available with two apertures for light spill in both directions.

Output options

1.2W 350mA
1.7W 500mA

Lamp Options

Warm White (3000k)
Cool White (5000k)
Blue
Green
Red
Amber

Finish options

Brushed or Polished Stainless Steel

Fixing Options

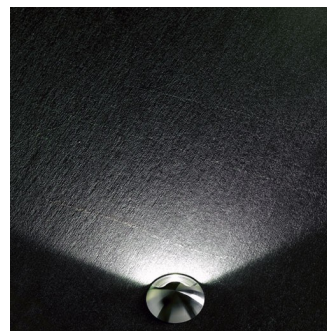
/SC Spring clips
/480 First fix sleeve and 'O' rings

Driver Options

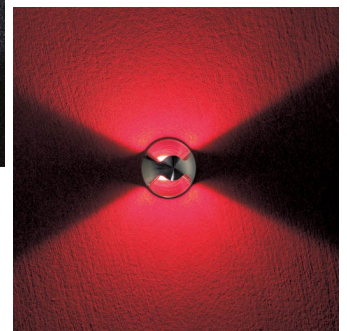
Use with 350mA or 500mA constant current LED drivers. 1-10V, DMX, DALI, Mains dimmable or non-dim.

Notes

Wire in series.
Ensure correct polarity.
Do not wire 'live'.



LD64

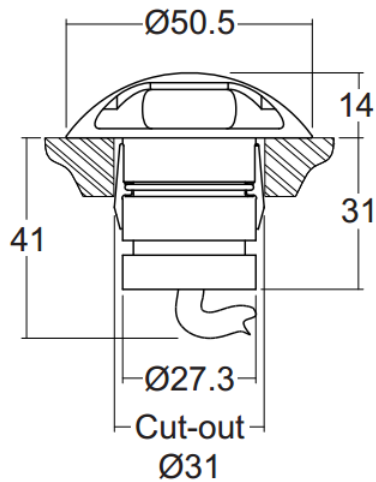


LD65

Beam Angles	120°(LD64) or 2 x 120° (LD65)			
LED type	1 x Cree XPG			
Colour temperature	3000K		5000K	
Drive Current (mA)	350	500	350	500
LED power* (W)	1.2W	1.7W	1.2W	1.7W
CRI (typical)	93	93	80	80
Forward voltage (V)	3.0V	3.2V	3.0V	3.2V

LED lifetime (to 70% lumen maintenance) 50,000hrs at a max ambient temperature of 35°C (if specifying fitting in ambient temperatures of up to 45°C run at 350mA max, LD64/65-350)

/SC - Spring clip fixing



(Dimensions in mm)

/480 - 'O' rings and sleeve

Our recommended method of fixing, this is most suited for in ground/floor applications

