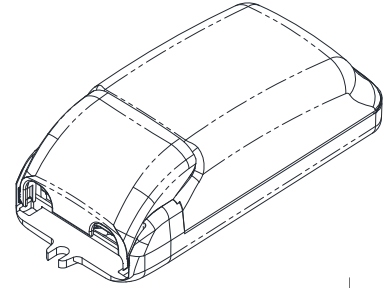


LED DRIVER DC CC, TERMINAL BLOCK LED 15 DC 700mA ELBD

LED

Features

1. High efficiency
2. High PF
3. Protections: Electronic internal Self-Resettable Short Circuit, Input Voltage Surge, Thermal, Secondary Switch. Fast current protection for load.
4. AC/DC.
5. Fast start.
6. Strain relief and TB cover.
7. Chaining connection.



Applications

1. Led indoor lighting.
2. Architectural lighting.
3. Indication and orientation lighting.
4. Safety lighting.
5. Ambient lighting.



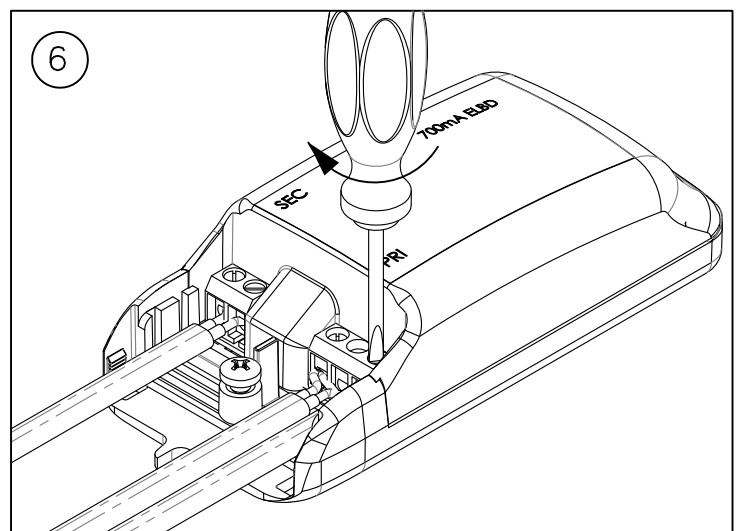
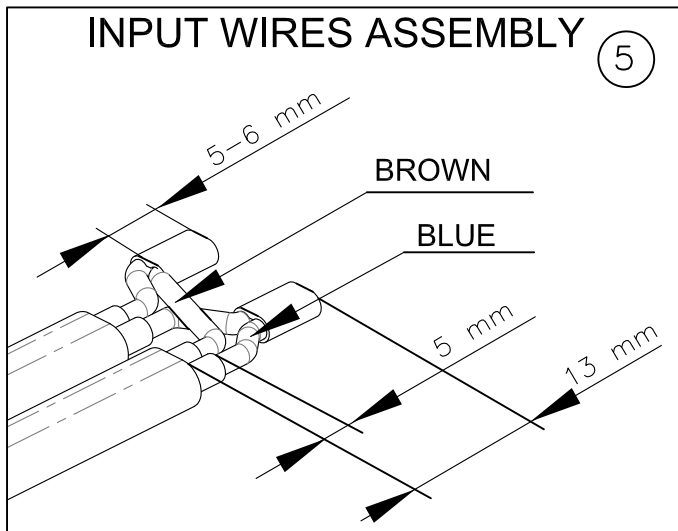
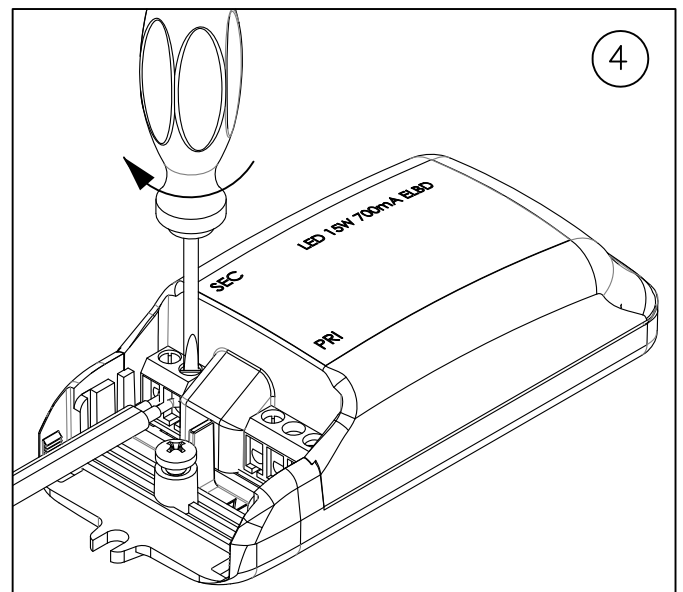
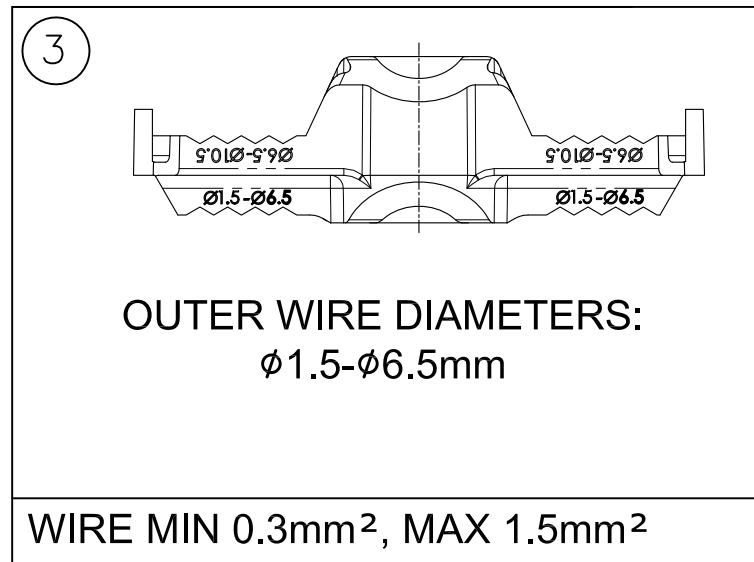
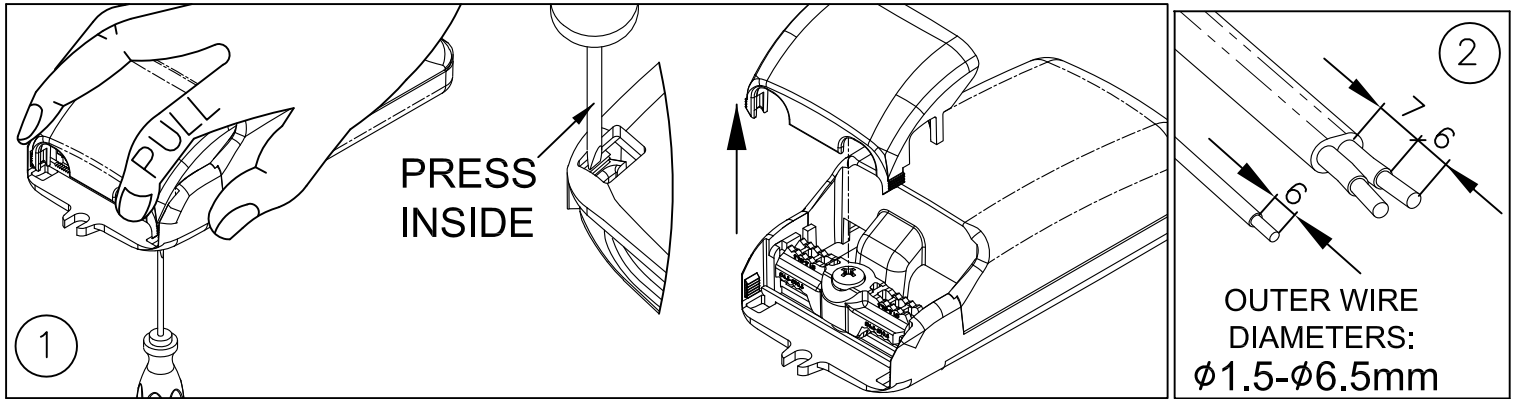
Specifications

SKU No.		901015700ELBD
INPUT	VOLTAGE RANGE (V)	220-240
	FREQUENCY RANGE (Hz)	50
	POWER FACTOR	0.9
	EFFICIENCY (Typ.) %	80
	AC CURRENT (A)	0.12
	INRUSH CURRENT (A)	NO SURGE
OUTPUT	VOLTAGE (V) Note 3	11-25
	CURRENT (A) Note 3	0.7
	RATED POWER (W)	15
DIMMABLE	REVERSE PHASE CONTROL (TRAILING EDGE)	YES
PROTECTION	INPUT VOLTAGE SURGE	YES
	OVER TEMPERATURE	YES
	SHORT CIRCUIT PROTECTION	YES
	REINFORCED INSULATION	YES
ENVIRONMENT	Ta (°C)	-25...+45
	Tc (°C)	75
	WORKING HUMIDITY	IP20
	STORAGE TEMP.(°C)	-10...+70
STANDARDS	VDE SAFETY	N/A
	VDE EMC	N/A
	UL	N/A
MECHANICAL	PLASTIC/ METAL CASE	PLASTIC-WHITE /RED
	INPUT WIRES COLOR	N/A
	INPUT WIRES SIZE	CABLE H03VVH2
	OUTPUT WIRE COLOR	N/A
	OUTPUT WIRE SIZE	CABLE H03VVH2
	WEIGHT	0.086kg
NOTE	<ol style="list-style-type: none"> 1. All parameters are measured at rated input, rated load and 25°C of ambient temperature. 2. Specifications may vary from time to time without notice. 3. Tolerance: includes set up tolerance, line regulation and load regulation. 4. Subject to standard warranty, terms and conditions as published from time to time. 	

901015700ELBD LED 15 DC 700mA ELBD

Mounting Instruction

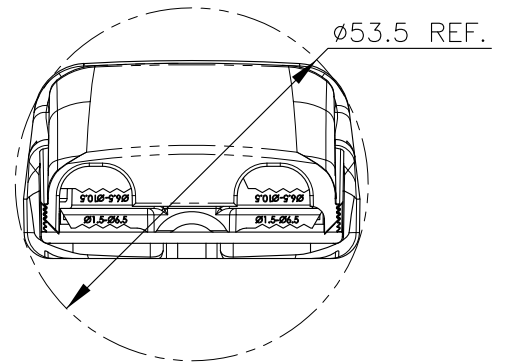
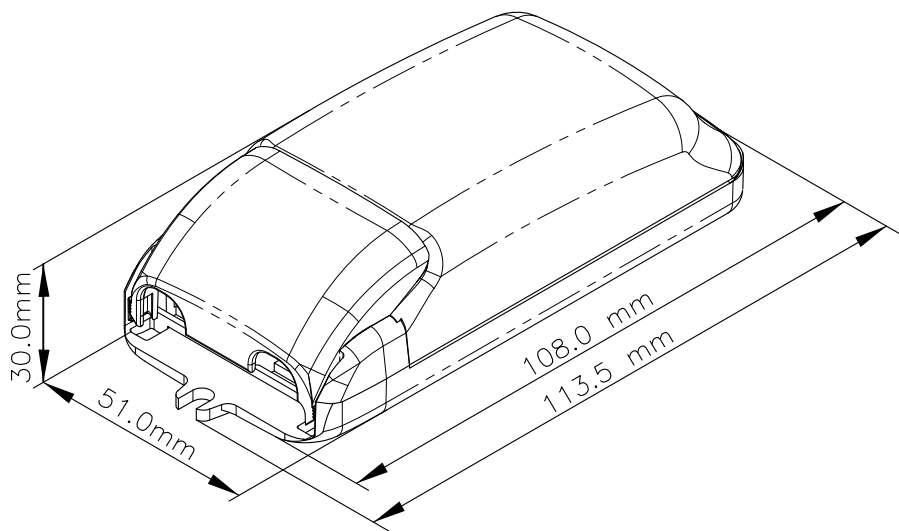
Constant current converter for wires $\varnothing 1.5 - \varnothing 6.5\text{mm}$



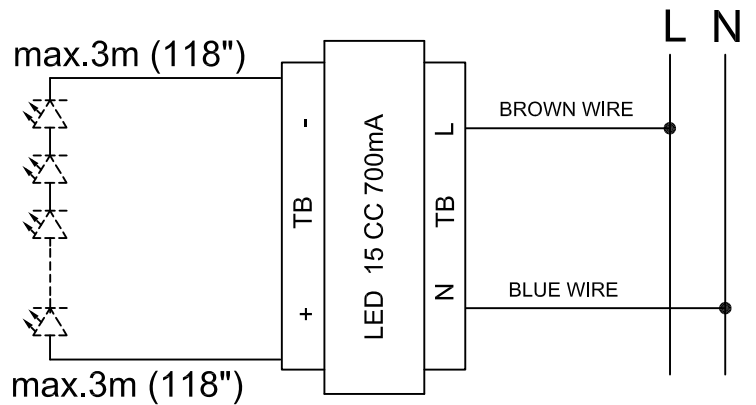
FOR CHAINING CONNECTION WIRE
MIN 0.3mm^2 , MAX 0.75mm^2

901015700ELBD LED 15 DC 700mA ELBD

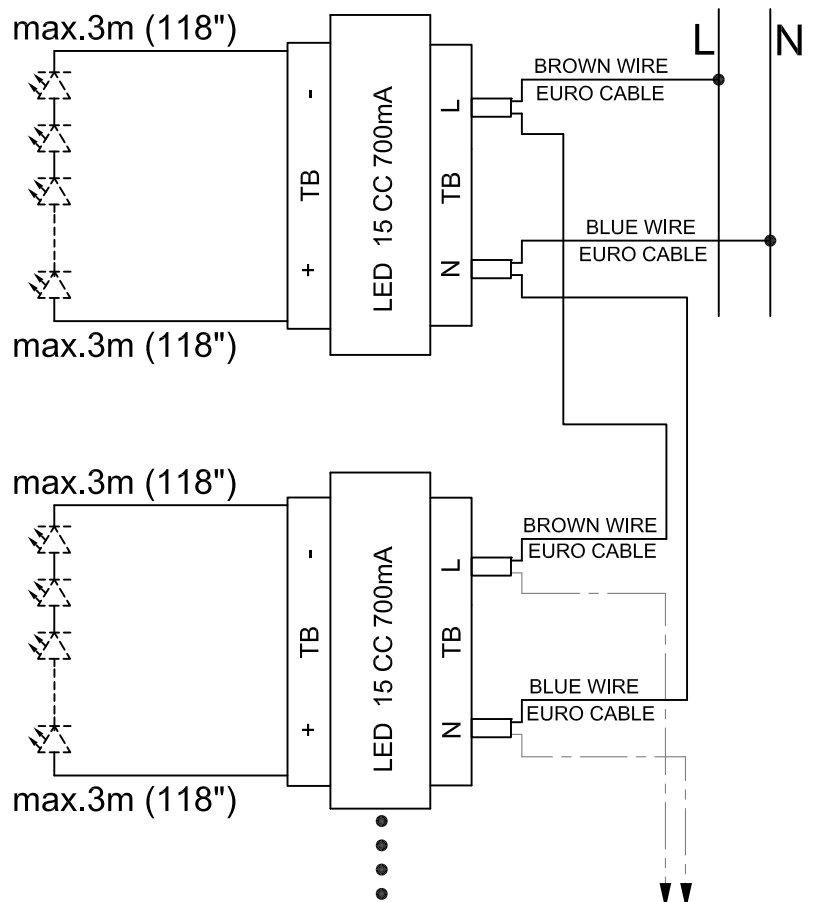
Drawing



SINGLE CONNECTIONS



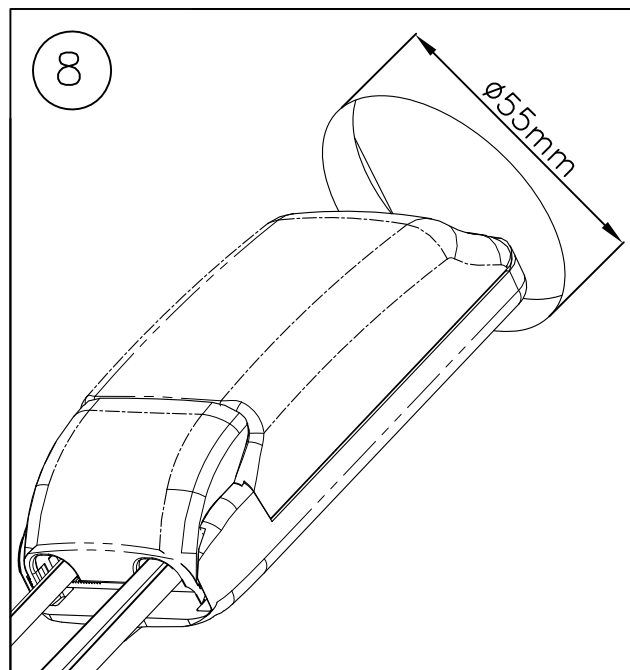
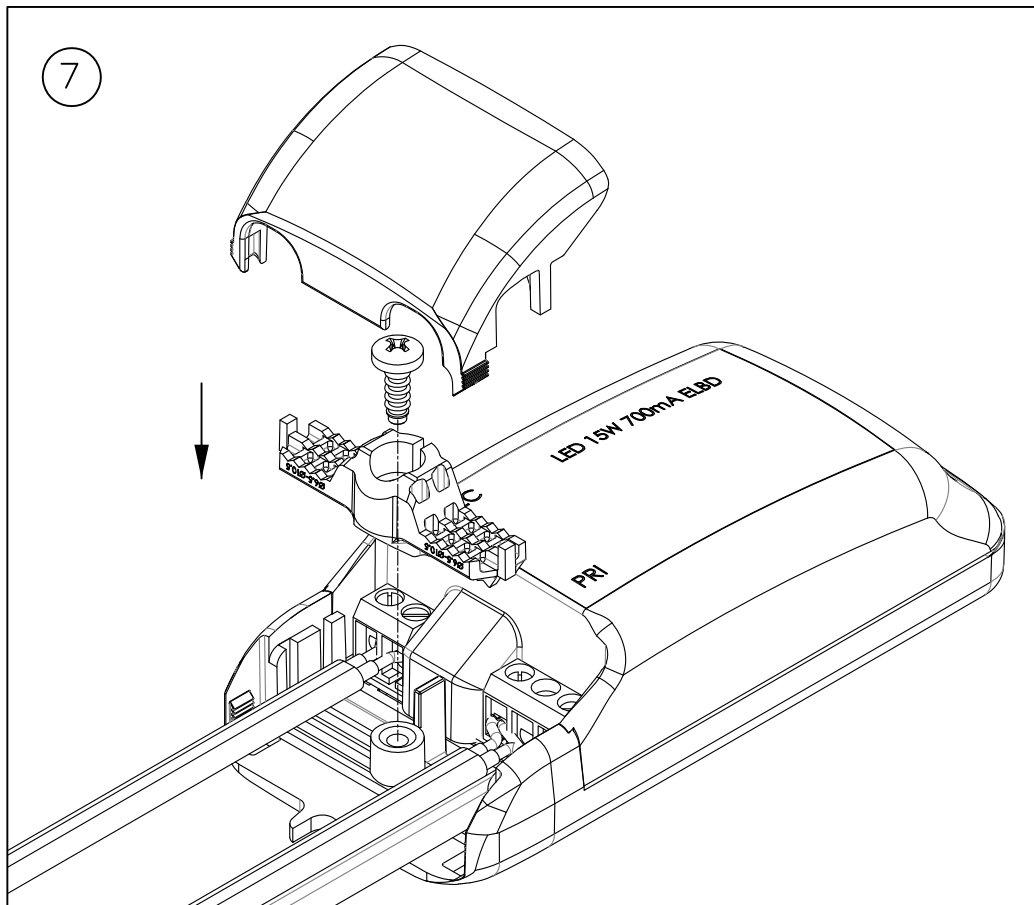
DAISY CHAIN CONNECTIONS



901015700ELBD LED 15 DC 700mA ELBD

Mounting Instruction

Constant current converter for wires $\varnothing 1.5 - \varnothing 6.5\text{mm}$



Safety Instruction:

1. Please note national installation regulations.
2. The measurement of output voltage can only be done with suitable measuring instruments.