

LD41



IP68 

General Information

A versatile miniature uplight/wall light which can be run at 500mA to deliver a surprising amount of punch. Useful for recessed uplighting, steps, pathways and other low level lighting. The tiny bezel is particularly discrete. Made from a solid billet of stainless steel 316. No visible fixings. Fixing options include 'O' rings and a first fix sleeve or bonding directly into the mounting surface.

Output Options

1.2W LED at 350mA
1.7W LED at 500mA

Lamp Options: 350mA 1w

Warm White (3000k)
Cool White (5000k)
Blue
Green
Red
Amber

Lens Options

12° narrow spot
31° medium
48° wide
36° x 12° oval

Finishes

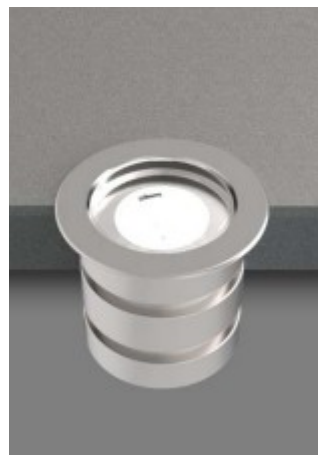
Polished or brushed stainless steel
Powder coated white / black (interior use only)
Polished and passivated stainless steel (for marine environments)

Fixing Options

/480 First fix sleeve with 'O' rings

Driver Options

Use with 350mA and 500mA constant current LED drivers.
1-10V, DMX, DALI, Mains dimmable or non-dim.



Notes

Wire in series
Do Not Wire 'Live'

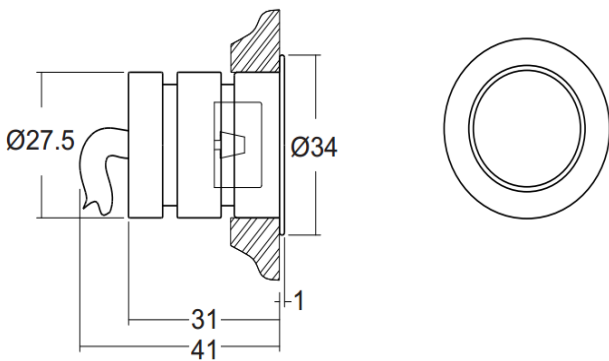
Applications Recessed uplighting, External, Steps, Pathway

Beam Angles 12°, 31°, 48°, 36° x 12°

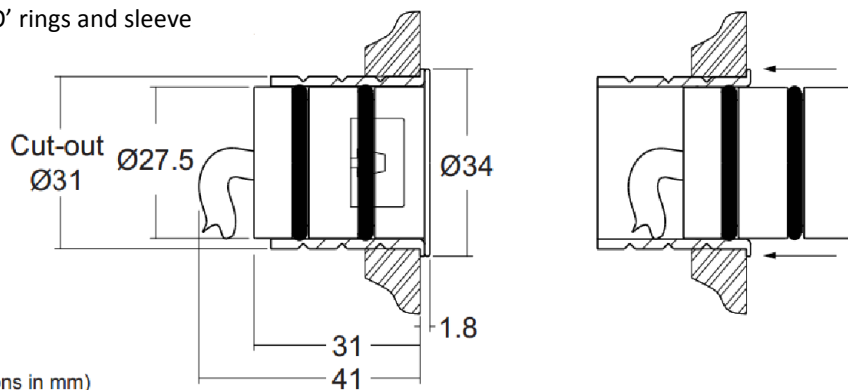
LED type 1 x Cree XPG

Colour temperature	3000K		5000K	
	Drive Current (mA)	350	500	350
LED power* (W)	1.2W	1.7W	1.2W	1.7W
CRI (typical)	93	93	80	80
Forward voltage (V)	3.0V	3.2V	3.0V	3.2V
Delivered lumens (L ¹⁰⁰)	68	93	110	153
Lumens per circuit watt**	57	55	91	90

LED lifetime (to 70% lumen maintenance) 50,000hrs at a max ambient temperature of 35°C (if specifying fitting in ambient temperatures of up to 45°C run at 350mA max, LD41-350)



/480 - 'O' rings and sleeve



(Dimensions in mm)