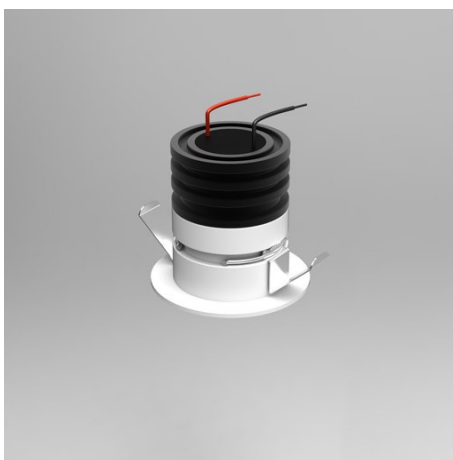


LD72



IP40  



General Information

LD72 is a miniature LED downlight ideal for display, niches or general accent downlighting effects. It is very discreet with the LED set back by 10mm to reduce the glare. It utilizes the latest LED technology with a typical CRI of 93 in warm white. As standard the LD72 is IP40 rated, but can be specified as IP54 for wet environments like bathrooms and spa areas. Fixing is by 2 spring fixing clips. LD72 can be driven up to a current of 700mA (2.4W) at an ambient of 35°C. If using in ambient temperatures of up to 45°C or very small voids then specify at 500mA max, LD72-500.

Output Options:

- 1.2W LED at 350mA
- 1.7W LED at 500mA
- 2.4W LED at 700mA

Lamp Options:

- Warm white (3000K)
- Cool White (5000K)
- Blue
- Green
- Red
- Amber

Lens Options

- 12° narrow spot
- 31° medium
- 48° wide
- 36° x 12° oval beam

IP Rating

- IP40 (dry internal use as standard)
- IP54 rated for moist environments

Finishes

- Powder coated Matt Black or Matt White (RAL 9016)
- Silver anodized

Driver Options

- Use with 350mA, 500mA or 700mA constant current LED Drivers.
- 1-10V, DMX, DALI and Mains dimmable, or non-dim.

Notes

- Wire in series and observe correct polarity
- Do not wire 'live'

Beam Angles	12°, 31°, 48°, 36° x 12°					
LED type	1 x Cree XPG					
Colour temperature	3000K			5000K		
Drive Current (mA)	350	500	700	350	500	700
LED power* (W)	1.2W	1.7W	2.4W	1.2W	1.7W	2.4W
CRI (typical)	93	93	93	80	80	80
Forward voltage (V)	3.0V	3.2V	3.4V	3.0V	3.2V	3.4V
Delivered lumens (L ₁₀₀)	68	93	114	110	153	190
Lumens per circuit watt**	57	55	48	91	90	79

LED lifetime (to 70% lumen maintenance) 50,000hrs at a max ambient temperature of 35°C (if specifying fitting in ambient temperatures of up to 45°C run at 500mA max, LD72-500)

Materials Anodised aluminium body

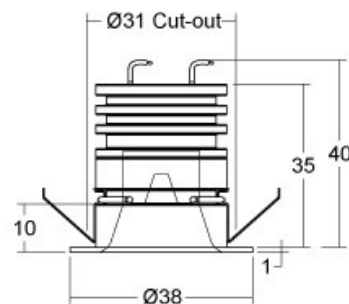
Glass 1.2mm thick borosilicate (IP54 version only)

Wiring Comes pre-wired with 2 core 100mm lead, can be specified with up to 10m at extra cost

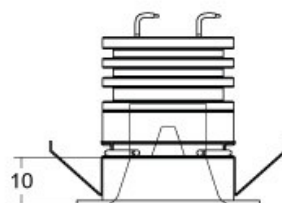
IP rating IP40 standard (optional IP54)

*LED watts allows for 85% efficient driver

**data shown allows for an ambient temperature of 35°C



Recessed lamp position for reduced glare



IP54 version supplied with extra gasket between the bezel and mounting surface

