

# LD47 & LD48



LD47

IP65  



LD48

## Notes

Wire in series.  
Ensure correct polarity.  
Do not wire 'live'.

## General Information

This discrete extremely low glare fitting with either square (LD47) or round (LD48) bezel has a recessed optic and a 20 degree tilt. The angled optic enables the fitting to be mounted slightly higher over a tread (c.200mm above) and for the light to still wash across the surface. The tilt also reduces glare when the fitting is seen front on. Delivers 114 lumens in warm white.

Can be used for internal or external applications and has an integral anti-wicking barrier to increase protection against moisture ingress due to incorrect IP rated cable connections.

Fixing options include spring fixing clips for stud walls or 'O' rings and a first fix sleeve for solid walls and/or wet areas.

Available with Switch, 1-10V, DMX, Dali or Mains dimmable drivers

## Output options

1.2W LED at 350mA  
1.7W LED at 500mA  
2.4W LED at 700mA

## LED Colour Options:

Warm White (3000k)  
Cool White (5000k)  
Blue  
Green  
Red  
Amber

## Beam / lens angle options

12° narrow spot  
31° medium  
48° wide

## Bezel finish options

Polished or brushed stainless steel 316  
Powder coated white / black (interior use only)  
Polished and passivated stainless steel (for marine environments)

## Fixing Options

/SC Spring clips  
/477 First fix sleeve and 'O' rings

## Driver Options

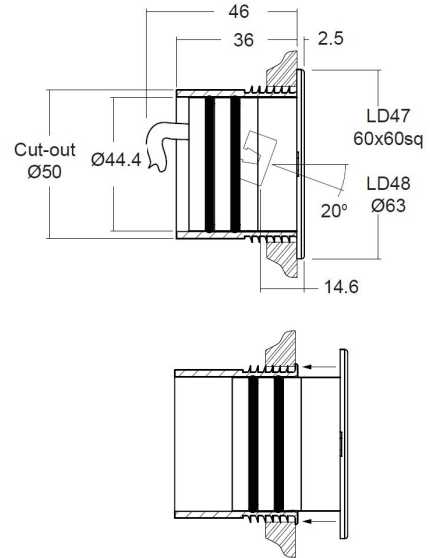
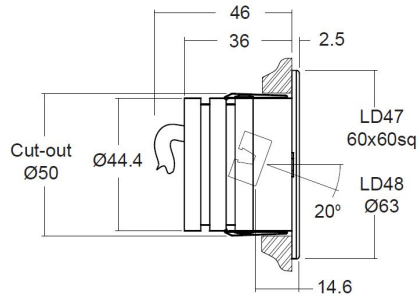
Use with 350mA, 500mA or 700mA constant current LED drivers. 1-10V, DMX, DALI, Mains dimmable or non-dim.

**/477** - 'O' rings and sleeve

A more robust and water tight method of fixing, for wet areas

**/SC** - Spring clip fixing

Useful for most wall mounted applications



(Dimensions in mm)

Applications

Steps and Pathway, External

Beam Angles

12°, 31°, 48°

LED type

1 x Cree XPG

Colour temperature

3000K

5000K

	3000K			5000K		
Drive Current (mA)	350	500	700	350	500	700
LED power* (W)	1.2W	1.7W	2.4W	1.2W	1.7W	2.4W
CRI (typical)	93	93	93	80	80	80
Forward voltage (V)	3.0V	3.2V	3.4V	3.0V	3.2V	3.4V
Delivered lumens (L <sup>100</sup> )	68	93	114	110	153	190
Lumens per circuit watt**	57	55	48	91	90	79