

WARNING: DO NOT USE NORMAL LOW VOLTAGE TRANSFORMERS WITH LEDs.

All LED fittings are tested before dispatch. It is not necessary to check them on site. Do not power up until fittings are wired correctly.

INSTRUCTION LEAFLET




LD71

Adjustable LED Downlighter

This product should be installed by a qualified electrician in accordance with all current, local legislation. For the UK, the current edition of the IEE Wiring Regulations and European Standard IEC 60364.

SPECIFICATION

LED luminaires are class III  for Safety Extra Low Voltage supply
--- 350mA to 700mA constant current supply.

Suitable for mounting on normally flammable surfaces. 

This fitting is IP40 or IP54 rated (check specification).

Lumen Maintenance: 50,000 hours L70 at max ambient of 35°C (if specifying in ambients of up to 45°C run at 500mA max).

LD71 is available in various power outputs options	
Product & LED output code	Power Output
LD71 - 350	350mA 1.2W
LD71 - 500	500mA 1.7W
LD71 - 700	700mA 2.4W

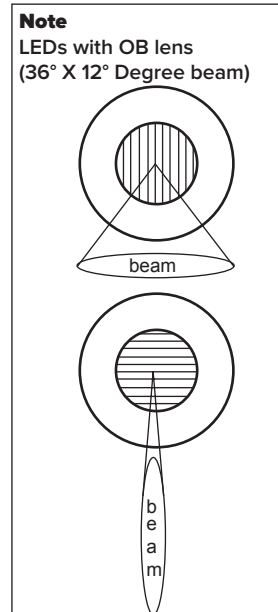
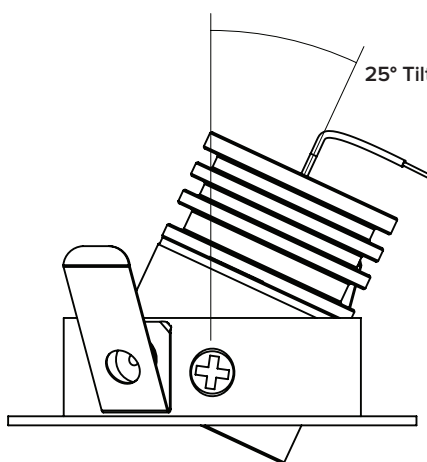
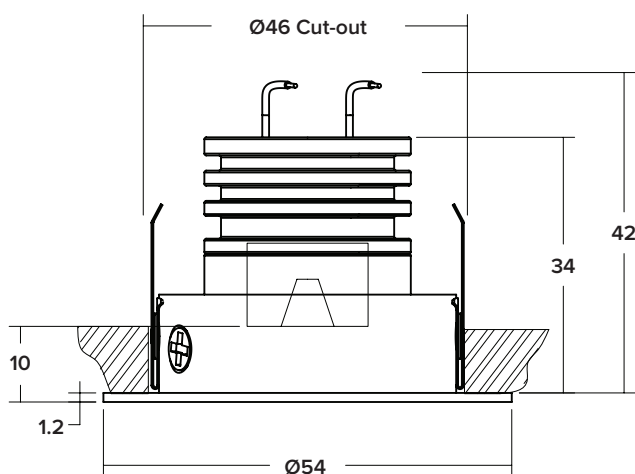
INSTALLATION

1. Bore clearance holes to suit dimensions below.
2. Wire the luminaire to a specified driver.

NOTE: Connections in wet environments. Make IP68 connection to stop water travelling up the cables into the fittings! Refer to IP connection sheet for further details.

3. Squeeze mounting springs into body with finger and thumb. The fitting can also be bonded into position if preferred.
4. Push the luminaire into the cut-out hole until flush with surface.
5. When using an oval beam optic, rotate the fitting using a grippe pair of gloves to orientate it within the hole.

DIMENSIONS



WIRING

Do not power up until fitting is wired correctly! Constant current LEDs must be wired in series, polarity is critical! Please refer to specified driver sheet for details on the minimum and maximum number of LEDs per circuit.

Single Colour LEDs		
Colour of Cable	Red	Black
Polarity	+	-

SEE CONSTANT CURRENT WIRING SHEET FOR IN SERIES WIRING DIAGRAM

IMPORTANT

Make sure that all cables and connections are securely connected before switching on the power. Do not switch on the power source prior to making these connections as this will result in the LEDs being overvolted, which can lead to failure of the LEDs and/or the driver. If the LEDs do not work upon power up, turn off the power source immediately and check the polarity of the wiring.

MAINTENANCE

LAMPS: Non Replaceable.
Clean with soft cloth.

This leaflet should be issued and retained by the end user.