

WARNING: DO NOT USE NORMAL LOW VOLTAGE TRANSFORMERS WITH LEDs.

All LED fittings are tested before dispatch. It is not necessary to check them on site. Do not power up until fittings are wired correctly.

INSTRUCTION LEAFLET




LD57

Unlensed Low Glare LED Wall Light

This product should be installed by a qualified electrician in accordance with all current, local legislation. For the UK, the current edition of the IEE Wiring Regulations and European Standard IEC 60364.

SPECIFICATION

LED recessed luminaires are class III  for Safety Extra Low Voltage supply  **350mA** and **700mA** constant current supply.

Suitable for mounting on normally flammable surfaces. 

This fitting is **IP68** rated (up to 1 week).

Lumen Maintenance: 50,000 hours L70 at Max Ambient of 35°C.

LD57 are available in various power outputs options	
Product & LED output code	Power Output
LD57 - 350	350mA 1.2W
LD57 - 500	500mA 1.7W
LD57 - 700	700mA 2.4W

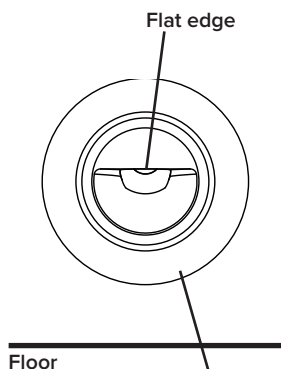
INSTALLATION

1. Bore clearance holes to suit dimensions below.
2. Wire the luminaire to a specified driver.

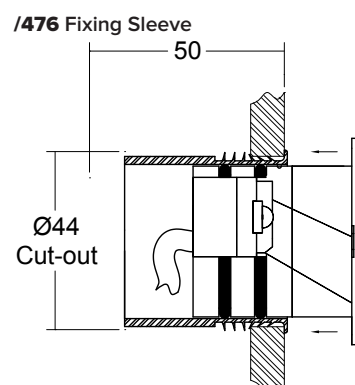
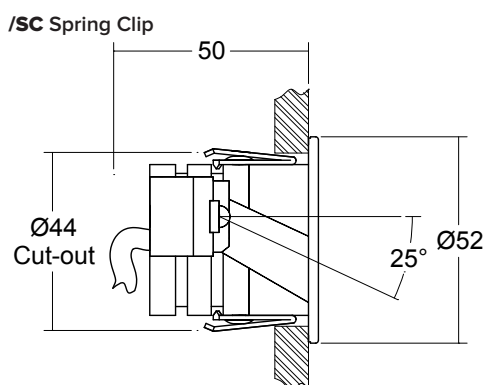
NOTE: Connections in wet environments. Make IP68 connection to stop water travelling up the cables into the fittings! Refer to IP connection sheet for further details.

3. When installing **/476 Fixing Sleeve**, adhesive can be applied to the fins if required to stop ingress of water. Recommended adhesives are; Rotabond 2000, 3M 4200 Marine Adhesive or Simson MSR Construction Adhesive.
4. Before installing fitting make sure they are free from dirt and grit.
5. When using **/SC Spring Clips**, squeeze mounting springs into body with finger and thumb.
6. Push in the luminaire into the cut-out hole until flush with surface.
7. When installing LD57 rotate the fitting using a grippy pair of gloves to orientate it.

DIMENSIONS



Make sure the flat edge of the fitting is horizontal to direct the light downward.



WIRING

Do not power up until fitting is wired correctly! Constant current LEDs must be wired in series, polarity is critical! Please refer to specified driver sheet for details on the minimum and maximum number of LEDs per circuit.

Single Colour LEDs		
Colour of Cable	Red	Black
Polarity	+	-

SEE CONSTANT CURRENT WIRING SHEET FOR IN SERIES WIRING DIAGRAM

IMPORTANT

Make sure that all cables and connections are securely connected before switching on the power. Do not switch on the power source prior to making these connections as this will result in the LEDs being overvolted, which can lead to failure of the LEDs and/or the driver. If the LEDs do not work upon power up, turn off the power source immediately and check the polarity of the wiring.

MAINTENANCE

LAMPS: Non Replaceable.
Clean with soft damp cloth.
O-Ring replacement part N°s: Outer - 17.0049
Inner - 17.0048

This leaflet should be issued and retained by the end user.