

WARNING: DO NOT USE NORMAL LOW VOLTAGE TRANSFORMERS WITH LEDs.

All LED fittings are tested before dispatch. It is not necessary to check them on site. Do not power up until fittings are wired correctly.

INSTRUCTION LEAFLET

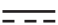


LD10238

Wall Mounted LED Spotlight

This product should be installed by a qualified electrician in accordance with all current, local legislation. For the UK, the current edition of the IEE Wiring Regulations and European Standard IEC 60364.

SPECIFICATION

LED spotlight luminaires are class III  for Safety Extra Low Voltage supply  350mA to 700mA constant current supply.

Suitable for mounting on normally flammable surfaces. 

Lamp: Cree MKR LEDs.

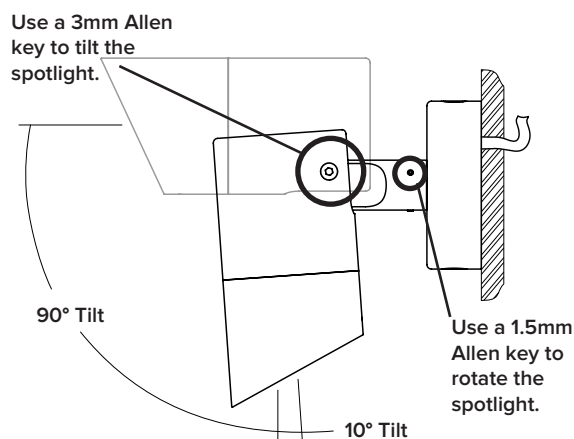
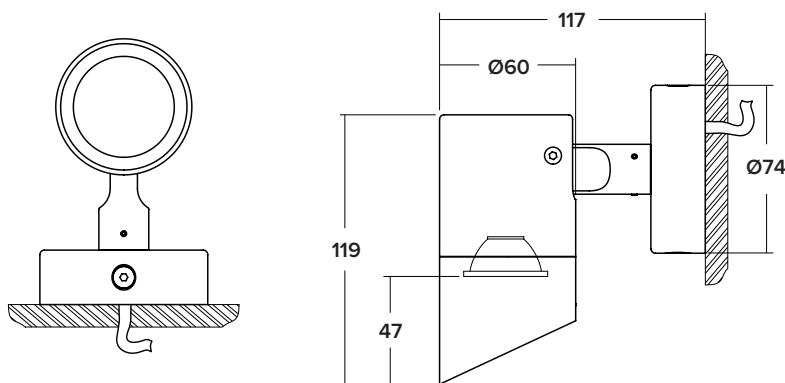
This fitting is IP67 rated.

Lumen Maintenance: 50,000 hours L70 at Max Ambient of 35°C.

LD10238 is available in various power outputs options	
Product & LED output code	Power Output
LD10238 - 350	350mA 5W
LD10238 - 500	500mA 7W
LD10238 - 700	700mA 10W

DIMENSIONS & INSTALLATION

/SMB Surface Mount Base

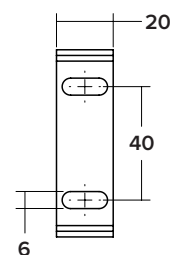


1. Detach the mounting bracket, then fix bracket to mounting surface using suitable screws.
2. Drill $\varnothing 7\text{mm}$ hole to feed cable from fitting to remote driver. Alternatively, connections can be made within the surface mount base, providing the connection has suitable protection for the environment it is in.

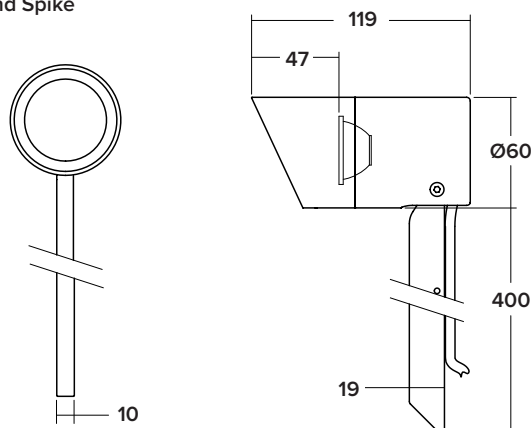
NOTE: Connections in wet environments. Make IP68 connection to stop water travelling up the cables into the fittings! Refer to IP connection sheet for further details.

3. Wire luminaire to a specified driver.
4. Re-attach the /SMB to the mounting bracket, tucking the connection inside of the housing.
5. Use specified Allen keys to adjust spotlight into the desired position.

Mounting Bracket



/GS Ground Spike



1. It is recommended that users push the ground spike a minimum of 2/3 of the spike into the ground, ensuring that the fitting stays upright and is secured in place (depending on soil density).

2. Wire luminaire to a specified driver.

NOTE: Connections in wet environments. Make IP68 connection to stop water travelling up the cables into the fittings! Refer to IP connection sheet for further details.

3. Make adjustments by hand, it is a friction tilt adjustment. **Do not adjust tilt using an Allen key.**

WARNING: DO NOT USE NORMAL LOW VOLTAGE TRANSFORMERS WITH LEDs.

All LED fittings are tested before dispatch. It is not necessary to check them on site. Do not power up until fittings are wired correctly.

INSTRUCTION LEAFLET

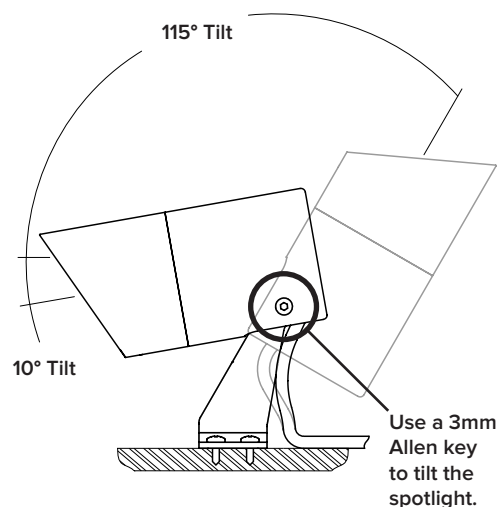
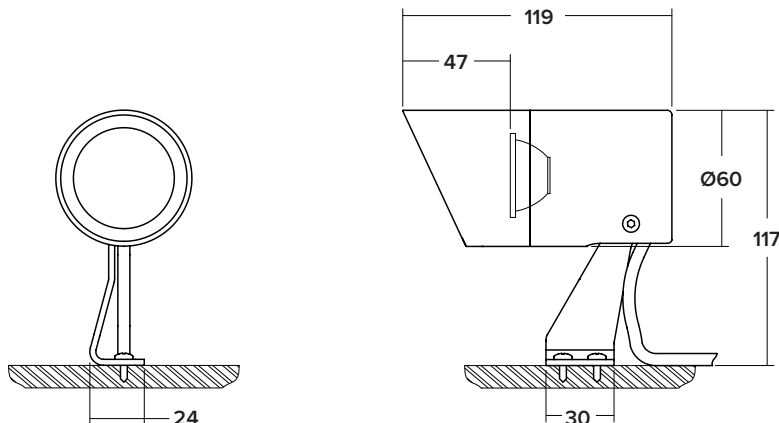


LD10238

Wall Mounted LED Spotlight

This product should be installed by a qualified electrician in accordance with all current, local legislation. For the UK, the current edition of the IEE Wiring Regulations and European Standard IEC 60364.

/SAM Surface Arm Mount

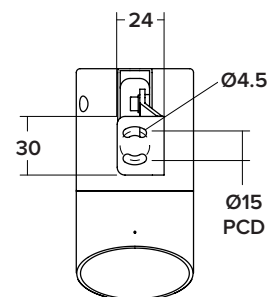


1. Use specified Allen key to tilt fitting into its maximum upward tilt position. Then mark out fixing holes.
2. Drill fixing holes in surface. Use wall plugs as needed.
3. Fix to surface using No.6 or No.8 screws.
4. Wire luminaire to a specified driver.

NOTE: Connections in wet environments. Make IP68 connection to stop water travelling up the cables into the fittings! Refer to IP connection sheet for further details.

5. Use specified Allen key to adjust spotlight into the desired position.

Mounting Details



WIRING

Do not power up until fitting is wired correctly! Constant current LEDs must be wired in series, polarity is critical! Please refer to specified driver sheet for details on the minimum and maximum number of LEDs per circuit.

Single Colour LEDs		
Colour of Cable	Red	Black
Polarity	+	-

RGBW LEDs								
LED Colour	Red		Green		Blue		White / 4th Ch	
Colour of Cable	Red	Black	Green	Yellow	Blue	White	Brown	Purple
Polarity	+	-	+	-	+	-	+	-

SEE CONSTANT CURRENT WIRING SHEET FOR IN SERIES WIRING DIAGRAM

IMPORTANT

Make sure that all cables and connections are securely connected before switching on the power. Do not switch on the power source prior to making these connections as this will result in the LEDs being overvolted, which can lead to failure of the LEDs and/or the driver. If the LEDs do not work upon power up, turn off the power source immediately and check the polarity of the wiring.

MAINTENANCE

LAMPS: Non Replaceable.
Clean with soft damp cloth.
Replacement part N°: Bezel O-rings - 17.0006

This leaflet should be issued and retained by the end user.

Page 2/2