

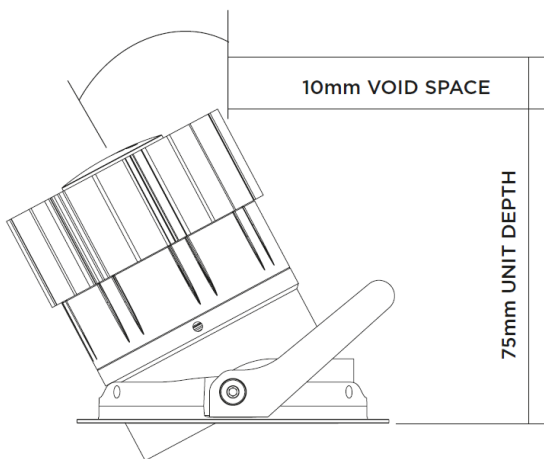
# DINO Tilt & Rotate

## 80mm adjustable LED downlight

### Origin



28° TILT  
360° ROTATION



ø72mm CUT OUT (ø74mm CUT OUT FOR IP RATED VERSION)  
ø51mm LENS APERTURE  
ø80mm BEZEL

#### Notes

Wire in **series** and observe correct polarity.  
Do not wire 'live.'

#### Overview

A small, circular LED downlight with 28° tilt and 360° rotation. The neat bezel makes the fitting very discrete. It's a versatile downlight suitable for many applications.

The light engine utilises a bespoke phosphor LED to deliver an exceptionally high average colour rendering (CRI : 98) and the best red rendering available worldwide (R9 : 99)

IP54 as standard (72mm cutout), or with optional upgrade to IP65 (74mm cutout), using a factory fitted 'gaiter'.

2700K	Spot	Medium	Wide	Flood
Beam Width	10°	28°	40°	45°
Initial Lumens*	624	1077	1077	1077
Engine Lumens*	437	931	931	924
*(Tc 85°, +/-7%)				
Circuit Power (typ)	10.6W	11.6W	11.6W	11.6W

3000K	Spot	Medium	Wide	Flood
Beam Width	10°	28°	40°	45°
Initial Lumens*	661	1156	1156	1156
Engine Lumens*	437	954	984	978
*(Tc 85°, +/-7%)				
Circuit Power (typ)	10.6W	11.6W	11.6W	11.6W

#### Finishes

Available in a range of standard and bespoke finish options for the whole luminaire. The standard white bezel is RAL9010 fine texture with 20% gloss, however we can offer any other RAL colour (additional charges and setup charges may apply).

The fitting is also available in Polished Chrome, Brushed Chrome, Polished Brass, Antique Brass, Polished Copper, Antique Copper and Antique Bronze.

The anti-glare baffle is Black as standard but can be any RAL paint or a selection of anodised or plated finish (additional charges and setup charges may apply).

#### Driver Options

Non-dim driver  
Mains dimming driver  
0-10v dimming driver  
DALI driver

#### Fitting Options

60 Minute Fire Rating  
Spreader Lens  
Anti-glare Honeycomb Louvre  
Frosted Lens  
Constant Torsion Springs

#### LED Colour Temperature

2700K (very warm white)  
2938K (warm white)  
4000K (by request only)

#### IP Rating

IP54 as standard.  
Optional IP65 (with gaiter)

50,000 hours to L90 and a 5 year fitting warranty.  
Designed and made in the UK.

