

# LD63



## General Information

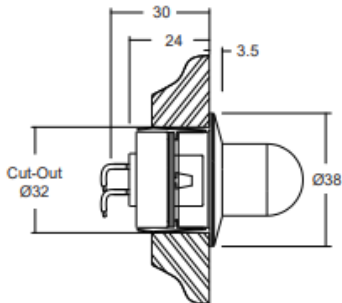
The LD63 mirror or decorative light fitting is the LED replacement for the 10148 halogen light. It uses the very latest in LED technology giving a high power LED output and good colour rendering with 93 CRI LED. This shallow, recessed fitting has no projected heat and its two diffused surfaces create an even glow, making it ideal for facial illumination. Rated IP65 as standard, the LD63 is designed for quick and simple installation and features spring clips for hidden fixing. The fitting is available with a choice of switch, 0-10V, DMX, Dali or mains dimmable drivers.

## Output Options

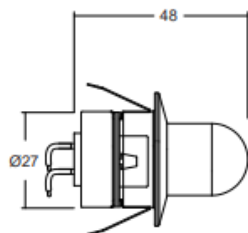
- 1.2W LED at 350mA
- 1.7W LED at 500mA

## Dimensions

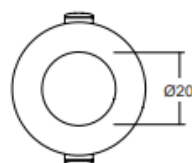
Cross Section View



Side View



Top View



## LED Colour Options

- 2700K
- 3000K
- 4000k
- 5000K

## IP Rating

IP65

## Finishes

Chrome, Powder coated Matt Black or Matt White (RAL 9016)

## Driver Options

Use with 350mA or 500mA constant current LED Drivers. 1-10V, DMX, DALI and Mains dimmable, or non-dim.

## Notes

Wire in series and observe correct polarity  
Do not wire 'live'