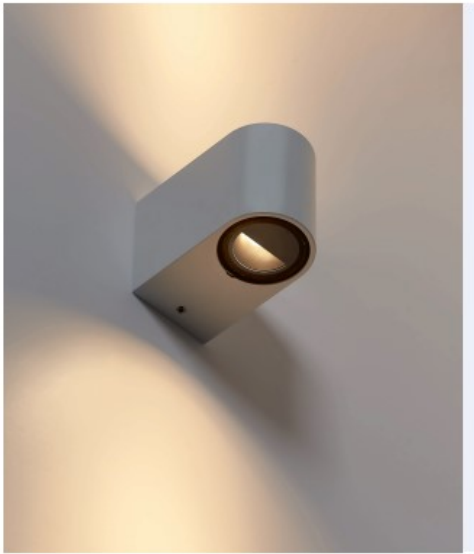


LD96



General Information

The LD96 is a miniature version of the LD10236 up and down wall washer. Its minimal design allows it to blend seamlessly into most project styles, and will fit into the smallest of features. A choice of beam angles and LED colours offers the designer a range of uses, as well as providing the opportunity to use differing optics on opposite side of the product. The small but very robust body is machined from a solid billet of aluminium, and incorporates an integral anti-wicking barrier for added protection. The fitting is available with a choice of switch, 0-10V, DMX, Dali or mains dimmable remote drivers.

Output Options

- 2.4W LED at 350mA
- 3.4W LED at 500mA
- 4.8W LED at 700mA

LED Colour Options

- 2700K
- 3000K
- 4000k
- 5000K

Beam Options

- 12° narrow spot
- 31° medium
- 48° wide
- 36° x 12° oval

IP Rating

IP66

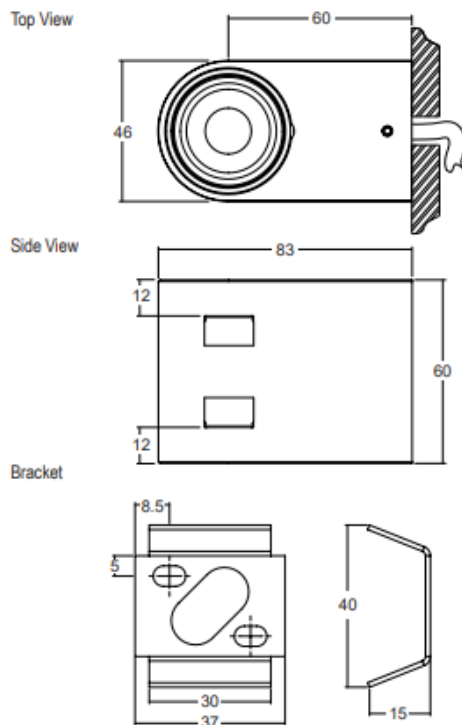
Finishes

Powder coated Matt Black or Matt White (RAL 9016) bronze.

Driver Options

Use with 350mA, 500mA or 700mA constant current LED Drivers.
1-10V, DMX, DALI and Mains dimmable, or non-dim.

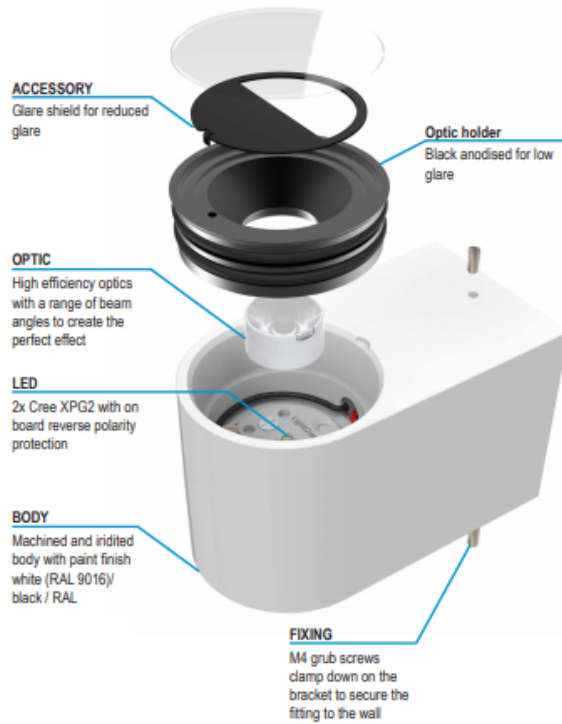
Dimensions



Notes

Wire in series and observe correct polarity
Do not wire 'live'

Product Parts



Order Codes and Options

Product code	LED colour	Lens angle	Accessory	Finish
LD96 - 350 - 500 - 700				

Example: LD96-700 / LW30 / MB / GS / White

Product codes with output options

2.4W LED at 350mA	LD96-350
3.4W LED at 500mA	LD96-500
4.8W LED at 700mA	LD96-700

LED colour options

Extra Warm White (2700K)	/LW27
Warm White (3000K)	/LW30
White (4000K)	/LW40
Cool White (5000K)	/LW50

Beam / lens angle options

12° narrow	/NB
31° medium	/MB
48° wide	/WB
36° x 12° oval	/OB
Different beam angle at each end	/**/

Accessory

Glare shield (GS56T)	/GS
----------------------	-----

Finish options

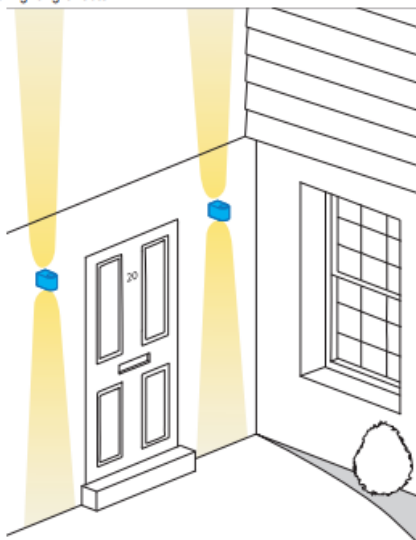
Body - Paint finish white (RAL 9016) / black / RAL
For marine environments specify powder coat

Use with 350mA, 500mA and 700mA constant current LED drivers

We have a wide range of dimmable LED drivers, 0-10V, DMX, DALI and Mains dimmable. Please see the downloads section on our website:
To run 1-7 LD96-350 in series use a TXDEL350D (0-10V dimmable)
To run 1-7 LD96-500 in series use a TXDEL500D (0-10V dimmable)
To run 1-6 LD96-700 in series use a TXDEL700D (0-10V dimmable)

Applications

LD96 can be used in a wide variety of situations, internally and externally. Differing beam angles can be utilised on opposing sides of the LD96 in order to create a variety of lighting effects.



Accessories

/GS - Glare shield

An optional glare shield is available for the LD96 to further reduce glare from the LED and optic. This does not reduce the light on the lit surface (wall) but will cut out some light onto the ceiling or floor.

