

LD97



General Information

The LD97 is a miniature surface mounted LED wall light. Minimal design allows it to blend seamlessly into most project styles, and fit into the smallest of details. A choice of beam angles and LED colours offers the designer a range of uses, which include window reveal lighting, wall washing and path illumination. LD97 has been designed to withstand the harshest of conditions. The small but very robust body is machined from a solid billet of aluminium and incorporates an integral anti-wicking barrier for added protection.

Output Options

1.2W LED at 350mA
1.7W LED at 500mA
2.4W LED at 700mA

LED Colour Options

2700K
3000K
4000k
5000K

Beam Options

12° narrow spot
31° medium
48° wide
36° x 12° oval

IP Rating

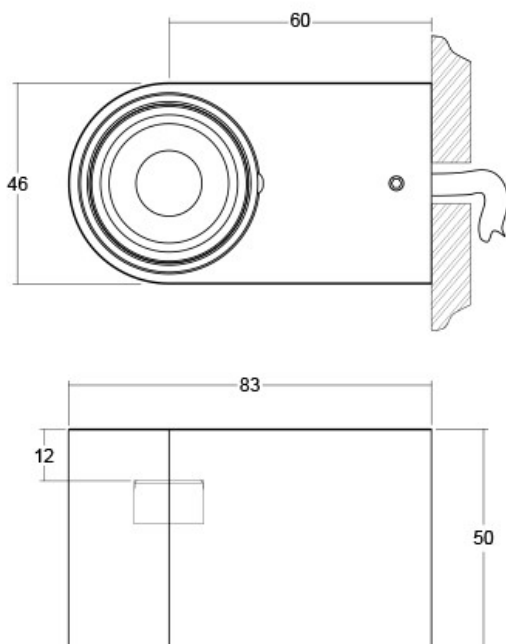
IP66

Finishes

Powder coated Matt Black or Matt White (RAL 9016) bronze.

Driver Options

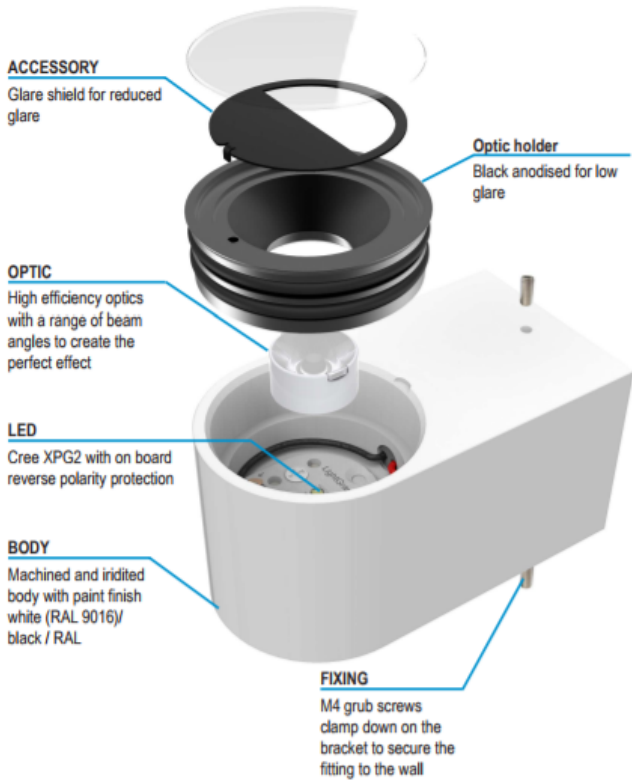
Use with 350mA, 500mA or 700mA constant current LED Drivers.
1-10V, DMX, DALI and Mains dimmable, or non-dim.



Notes

Wire in series and observe correct polarity
Do not wire 'live'

Product Parts



Order Codes and Options

Product code	LED colour	Lens angle	Accessory	Finish
LD97 - 350 - 500 - 700	<input type="checkbox"/>	<input type="checkbox"/>	<input type="checkbox"/>	<input type="checkbox"/>

Example: LD97-700 / LW30 / MB / GS / White

Product codes with output options

1.2W LED at 350mA	LD97-350
1.7W LED at 500mA	LD97-500
2.4W LED at 700mA	LD97-700

LED colour options

Extra Warm White (2700K)	/LW27
Warm White (3000K)	/LW30
White (4000K)	/LW40
Cool White (5000K)	/LW50

Beam / lens angle options

12° narrow spot	/NB
31° medium	/MB
48° wide	/WB
36° x 12° oval	/OB

Accessory

Glare shield (GS56T)	/GS
----------------------	-----

Finish options

Body - Paint finish white (RAL 9016) / black / RAL
For marine environments specify powder coat

Use with 350mA, 500mA and 700mA constant current LED drivers

We have a wide range of dimmable LED drivers, 0-10V, DMX, DALI and Mains dimmable. Please see the downloads section on our website: (drivers can be located up to 40m)
To run 1-14 LD97-350 in series use a TXDEL350D (0-10V dimmable)
To run 1-14 LD97-500 in series use a TXDEL500D (0-10V dimmable)
To run 1-13 LD97-700 in series use a TXDEL700D (0-10V dimmable)

Applications

LD97 is incredibly versatile, allowing it to be used in a variety of applications from lighting window reveals to wall washing and path lighting.

