

# WARNING: DO NOT USE NORMAL LOW VOLTAGE TRANSFORMERS WITH LEDs.

All LED fittings are tested before dispatch. It is not necessary to check them on site. Do not power up until fittings are wired correctly.

## INSTRUCTION LEAFLET



# TXDTC700PHD

## 700mA Constant Current Dimmable Driver

This product should be installed by a qualified electrician in accordance with all current, local legislation. For the UK, the current edition of the IEE Wiring Regulations and European Standard IEC 60364.

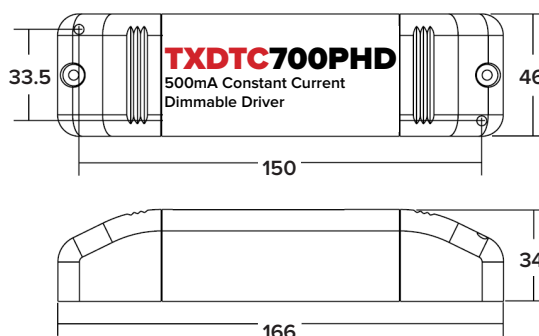
### SPECIFICATION

Output current (mA)	700mA
Number of 2.4W (700mA) Fittings	1 - 13
Number of 10W (700mA) Fittings	1 - 5
Number of 14W (700mA) Fittings	1 - 2
Number of Outputs/Circuits	1
Dimmable Control	240V trailing/leading edge (0.5% - 100%)
Input voltage	230V - 240V
Output voltage	2V - 46V
Max ambient temperature	Max 45°C
Dimensions L x W x H (mm)	166 X 46 X 34
Hole cut-out (mm)	Ø51
IP Rated	IP20
Short circuit protection	Yes
Standards	EN 50172, EN 55015, EN 61547, EN 61000-3-2, EN 61000-3-3, EN 61347-1, EN 61347-2-13, EN 62384, VDE 0710-T14
Max Distance to LED	10 metres



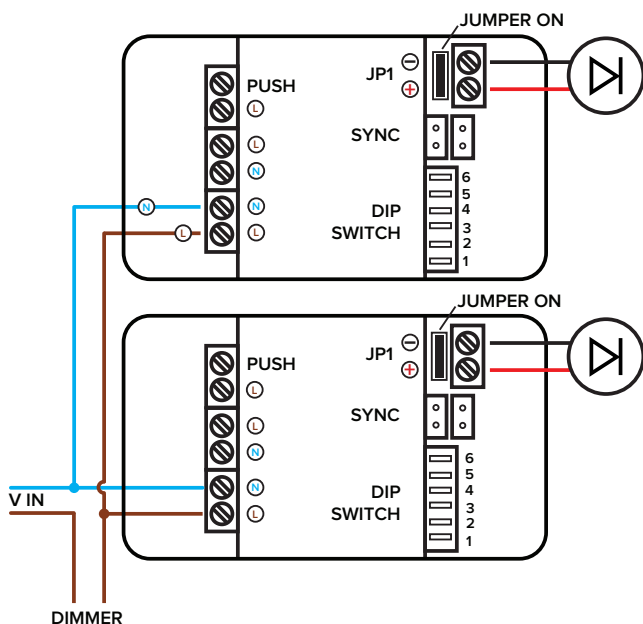
### INSTALLATION

Measurements for mounting holes.  
Allow an air gap between drivers and install in a well ventilated space.



### WIRING DIAGRAM

Measurements for mounting holes.  
Allow an air gap between drivers and install in a well ventilated space.



### WIRING

Do not switch on power source prior to making these connections as this will result in the LEDs being overvolted and can lead to LED failure.

Connect pairs of cables (e.g. red + / black -) from LED fitting to specified driver. Multiple LED fittings are wired in SERIES.  
For further details please refer to the **Constant Current Wiring Sheet** for in series wiring diagrams.

#### POLARITY IS CRITICAL.

If LEDs don't work, turn power off **immediately**, then check polarity. Failure to do so will excessively heat the LED, causing them to fail.  
If this happens, the LED will not be repairable.

IP rated connections should be made in wet environments. Please refer to IP Connection sheet for further details.  
This leaflet should be issued and retained by the end user.