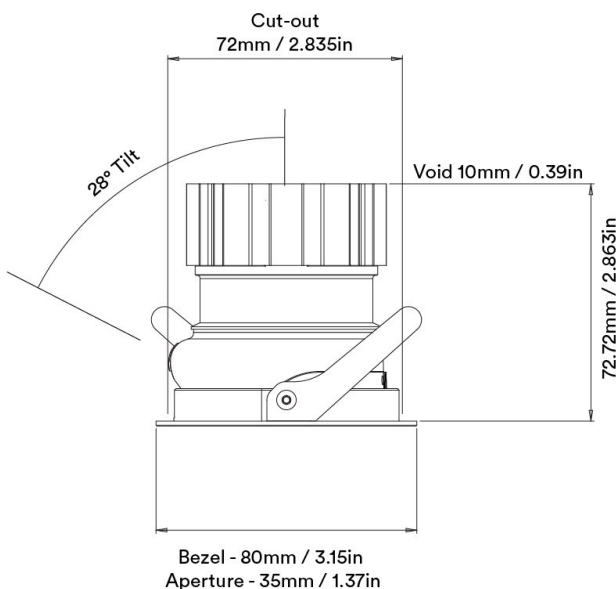


Cuadro Adjustable

80mm adjustable LED downlight

Origin



Unit height increases by 21.65mm / 0.85in for Spot and Elliptical beams.

Product is tiltable. Note minimum 10mm void required above fitting and ensure fitting has sufficient sideways clearance to accommodate tilt vs joists or other obstructions when tilted.

Overview

A small, square LED downlight with 28° tilt and 360° rotation. The neat bezel makes the fitting very discrete. It's a versatile downlight suitable for many applications.

IP54 as standard with optional upgrade to IP65 using a factory fitted 'gaiter'.

Finishes

Available in a range of standard and bespoke finish options for the whole luminaire. The standard white bezel is RAL9010 fine texture with 20% gloss, however we can offer any other RAL colour (additional charges and setup charges may apply).

The fitting is also available in Polished Chrome, Brushed Chrome, Polished Brass, Antique Brass, Polished Copper, Antique Copper and Antique Bronze.

The anti-glare baffle is Black as standard but can be any RAL paint or a selection of anodised or plated finish (additional charges and setup charges may apply).

Installation Notes

- Cut hole in ceiling as per cut-out in diagram.
- Wire luminaire cable to Orlluna certified driver, ensuring correct polarity (red to positive terminal [+] and black to negative terminal [-]).
- With mains supply switched off, connect driver to mains supply (to avoid damaging the luminaire, do not hot-wire).
- Feed luminaire into cut-out by rotating clockwise pulling the light fitting fully up into the ceiling, ensuring Ø250mm around luminaire and driver is left clear of insulation.
- Ensure sufficient clearance to accommodate product tilt.

Fixing Method	Tick Springs
Min Ceiling Thickness	5mm
Max Ceiling Thickness	28mm
Max Driver Distance	20m

Driver Options

Non-dim driver
Mains dimming driver
0-10v dimming driver
DALI driver

Fitting Options

60 Minute Fire Rating
Anti-glare Honeycomb Louvre
Sea & Spa
Frosted Lens
Constant Torsion Springs

LED Colour Temperature

2700K (very warm white)
2938K (warm white)
4000K (by request only)

IP Rating

IP54 as standard.
Optional IP65 (with gaiter)

50,000 hours to L90 and a 5 year fitting warranty.
Designed and made in the UK.



Cuadro Adjustable 80mm adjustable LED downlight Origin

Origin Engine for superior light

When you've created a beautiful space, you want to faithfully enhance every shade within it. The Origin family of downlights, uplights, spots and linear lights all use a bespoke phosphor LED, which gives exceptionally high colour rendering and the best red rendering worldwide (CRI: 98 & R9: 99). Reds are highly important in accurate representation of many colours, including true whites, so the Origin makes colours look as beautiful as intended.

Origin is also the only core downlight which has ten precise beam angles, so it's adaptable to every setting, gives more control, and allows you to add more drama.

2700K

	Spot			Soft				Speciality		
	<i>Ultra</i>	<i>Spot</i>	<i>Narrow</i>	<i>Medium</i>	<i>Wide</i>	<i>Flood</i>	<i>Wash</i>	<i>Crisp</i>	<i>Elliptical</i>	<i>Elliptical</i>
Beam Width	8°	10°	14°	26°	41°	49°	56°	36°	10x45°	20x40°
Initial Lumens	526	893	1164	1164	1164	1164	1164	1164	893	893
Engine Lumens	183	295	380	975	968	935	942	970	323	320
Engine Lm/W	23	24	33	86	85	82	83	85	26	26

Voltage	36V	36V				34V				36V
Drive Current	180mA	300mA				300mA				300mA
Circuit Power (typ)	7.8W	12.2W				11.4W				12.2W

3000K

	Spot			Soft				Speciality		
	<i>Ultra</i>	<i>Spot</i>	<i>Narrow</i>	<i>Medium</i>	<i>Wide</i>	<i>Flood</i>	<i>Wash</i>	<i>Crisp</i>	<i>Elliptical</i>	<i>Elliptical</i>
Beam Width	8°	10°	14°	27°	42°	49°	57°	37°	10x45°	20x40°
Initial Lumens	561	935	1252	1252	1252	1252	1252	1252	935	935
Engine Lumens	204	302	407	1013	1026	999	1013	1025	354	350
Engine Lm/W	26	25	36	89	90	88	89	90	29	29

Voltage	36V	36V				34V				36V
Drive Current	180mA	300mA				300mA				300mA
Circuit Power (typ)	7.8W	12.2W				11.4W				12.2W

